

SINCE 1897

Northcote

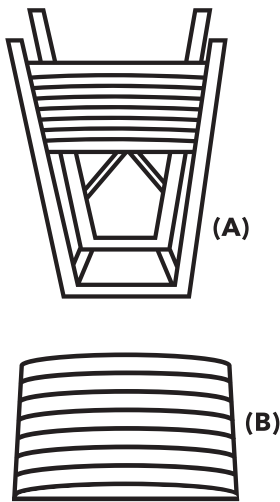
POTTERY

THE CONTAINER GARDENING EXPERTS

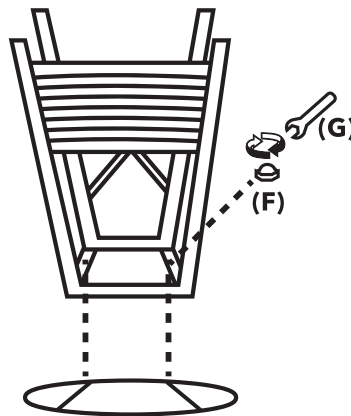
WINDSLOW MANUAL

ASSEMBLY INSTRUCTIONS

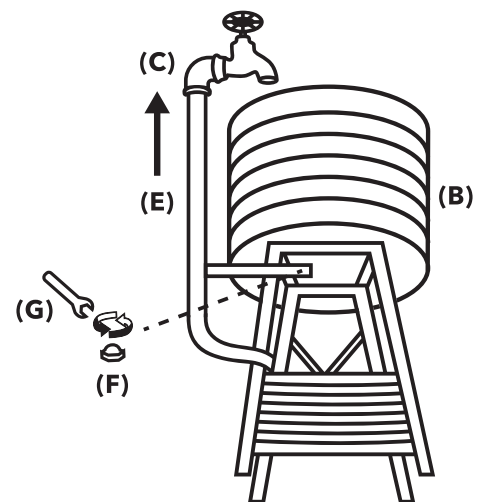
1. Lay out all the components onto a clean, flat and smooth surface. Place the basin (B) upside down stacking the fountain stand (A) on top.



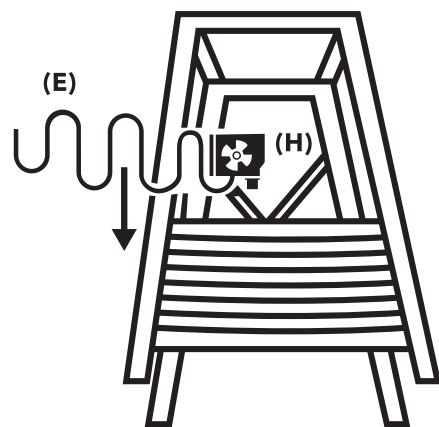
2. Align the screw holes with screws (F) and fasten tightly with spanner (G).



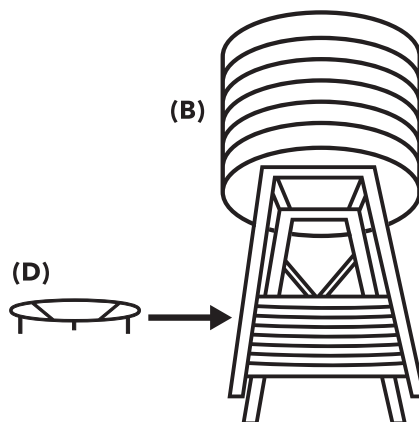
3. Connect the tube (E) with the tap faucet (C). Align the screw holes of the tap faucet (C) with the holes on the basin (B). Tighten with the spanner (G).



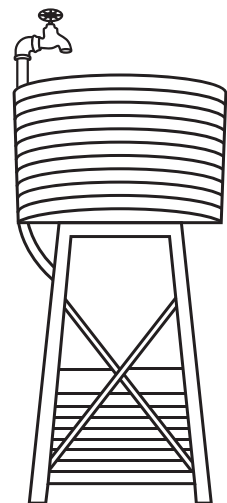
4. Thread tubing (E) from tap and connect to pump (H). Place pump in the base of the stand (A).



5. Set the mesh (D) into the centre of the basin (B). Make sure the pump and the transformer are connected with the cord.



6. Fill the feature with sufficient water to fully submerge the pump. Then connect the plug to your mains outlet.



SINCE 1897

Northcote

— POTTERY —

THE CONTAINER GARDENING EXPERTS

WARRANTY INFORMATION

SCAN BELOW

Scan the QR code below for instructional video tutorial.



WINTER CARE

- During winter, never allow ice to form in the fountain, as it may cause damage.
- Do not operate below 5°C.
- Drain the fountain completely and store away from freezing temperatures and protect from frost.

PUMP MAINTENANCE

- To clean the pump, first disconnect it from the power supply and remove it from the water feature. Then remove the inlet cover from the front of the pump and gently grip the impeller to pull out the rotor assembly. Clean the rotor and rotor housing with water; drying with paper towel. Reassemble the parts and store pump in a dry area.
- Our pumps are covered by a one year warranty. If the pump has ran dry or failed outside of your warranty period, a replacement pump can be ordered.

TROUBLESHOOTING

- If water doesn't flow evenly over the fountain ensure the water feature is sitting level on the ground. Adjust the pump's flow control switch. Set the flow control to maximum (+) before operating. Once flow is established the switch can be adjusted downward to the desired level.
- If the pump fails to operate, check the following:
 - Check that power is correctly connected, and that the pump is fully submerged. Check the pump and tubing for any obstructions or kinks.
 - If the pump operates, and there are no obstructions/kinks in the tubing, and the pump is fully submerged, but there is no flow remove the tubing and clean the inside. Then place the pump back into the water and turn it on, and once the water begins to flow, re-attach the tubing.
- Remove the cover with the flow adjuster on it, and gently lever off the inner cover to reveal the pump impeller. Gently turn the rotor to check that it is not broken or jammed.
- If the pump runs slower water circulation, check the flow control switch on the body of the pump and adjust if necessary. Ensure the pump is completely submerged.
- If any abnormal sound is heard during the operation, turn off the power supply and check the rotor assembly as follows:
 - Remove the pump cover and rotor plate from the front. Then grip the impeller and gently take out the rotor assembly.
 - Rinse the rotor assembly and housing with clean water in order to remove any debris. If any breakage or surface damage is found on the rotor assembly, please contact your supplier.

We hope you continue to enjoy your water feature for many years.

www.northcotepottery.com

  @northcotepottery

AMES will provide a 12 month repair/replacement warranty from the date of purchase. Warranty is subjected to this item being operated in accordance with its specifications. Our goods come with guarantees that cannot be excluded under the Australia consumer law. You are entitled to a replacement or refund for a major failure and compensation for any other reasonably foreseeable loss or damage. You are also entitled to have the goods repaired or replaced if the goods fail to be of acceptable quality and the failure does not amount to a major failure.