









OAKDEN BARREL WATER FEATURE

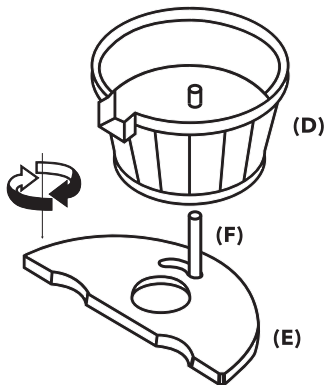
ASSEMBLY INSTRUCTIONS

Assemble components as per the diagram below on a smooth surface to avoid scratching.

							
(A) 1PC	(B) 1PC	(C) 1PC	(D) 1PC	(E) 1PC	(F) 1PC	(G) 1PC	(H) 1PC

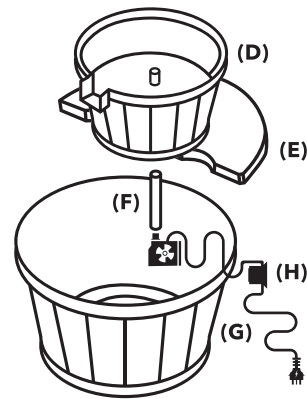
STEP 1.

Lay out all the components onto a clean, flat and smooth surface. Connect the short water tube (F) to the nozzle under the upper barrel (D). Feed through the short water tube (F) into the small hole beneath the lower board (E). Attach the upper barrel (D) and lower board (E) together by matching up the slots, then twist in a clockwise motion.



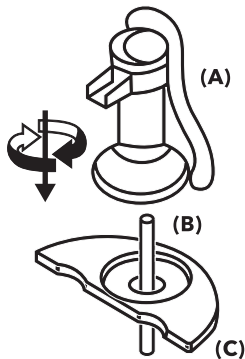
STEP 2.

Attach the short water tube (F) to the nozzle of the pump (H). Place pump into the lower barrel (G). Ensure the power cord is secured in the notch on the lower barrel (G).



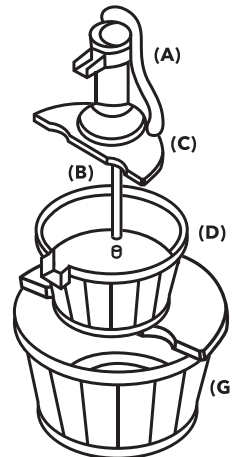
STEP 3.

Connect the long water tube (B) to the nozzle inside the pitcher pump (A). Feed the long water tube (B) through the hole of the upper board (C).



STEP 4.

Fit the groove of the upper board (C) onto the edge of the upper barrel (D) to attach the two pieces. Connect the long water tube (B) to the outlet nozzle within the upper barrel (D).



STEP 5.

Fill the fountain with sufficient water to fully submerge the pump. Then connect the plug into your mains outlet.

WARRANTY INFORMATION

WARNING - IMPORTANT NOTICE

- Always disconnect from power before commencing any maintenance or cleaning of the pump/fountain.
- Do not operate if the pump, cable or transformer is damaged in any way. If in doubt about any electrical connections, please consult a qualified electrician.
- Always ensure the pump is fully submerged when in use. Never allow the pump to run dry. This will cause damage and void your warranty.
- Change and top-up the water on a regular basis. Always use clean fresh water. Do not use heavily chlorinated water, heated liquids or water with high PH levels.
- If fountain is not in use for an extended period of time, unplug the pump and drain the fountain completely.
- Do not exceed the voltage shown on the pump. Only use the transformer provided. Ensure that it is plugged into a power socket that is in a sheltered area out of the rain. Do not allow the plug or power socket to get wet.
- Do not place the fountain in a location where any water splashing or spills will reach any other electrical equipment or cause damage. Do not attempt to move the fountain when filled with water.
- Disconnect the power cord from the outlet by holding the plug, not by pulling the cord. Do not lift the pump by the cord.
- Always supervise children and pets around the fountain.

WINTER CARE

During winter, never allow ice to form in the fountain, as it may cause damage. Do not operate below 5°C. Drain the fountain completely and store away from freezing temperatures and protect from frost.

CLEANING THE PUMP

To clean the pump, first disconnect it from the power supply and remove it from the water feature, then:

- a) Remove the inlet cover from the front of the pump and gently grip the impeller to pull out the rotor assembly.
- b) Clean the rotor and rotor housing with water. Dry with paper towel.
- c) Reassemble the parts and store the pump in a dry area.

TROUBLESHOOTING

If water doesn't flow evenly over the fountain:

- a) Ensure the water feature is sitting on level ground to ensure even water flow.
- b) Adjust the pump's flow control switch. Set the flow control to maximum (+) before operating. Once flow is established the switch can be adjusted downward to the desired level.

If the pump fails to operate, check the following:

- a) Check that power is correctly connected and that the pump is fully submerged.
- b) Check the pump and tubing for any obstructions or kinks.
- c) If the pump is fully operational and submerged with no obstructions/kinks but there is no flow, remove the tubing and clean the inside of the tubing. Place the pump back into the water and turn it on. Once the water begins to flow, reattach the tubing.
- d) Remove the cover with the flow adjuster on it and gently lever off the inner cover to reveal the pump impeller. Gently turn the rotor to check that it is not broken or jammed.

If the pump runs with slower water circulation, check the following:

- a) The flow control switch on the body of the pump. Adjust if necessary.
- b) Ensure the pump is completely submerged.

If any abnormal sound is heard during operation, turn off the power supply and check the rotor assembly as follows:

- a) Remove the pump cover and rotor plate from the front.
- b) Grip the impeller and gently take out the rotor assembly.
- c) Rinse the rotor assembly and housing with clean water in order to remove any debris.
- d) If any breakage or surface damage is found on the rotor assembly, please contact your supplier.